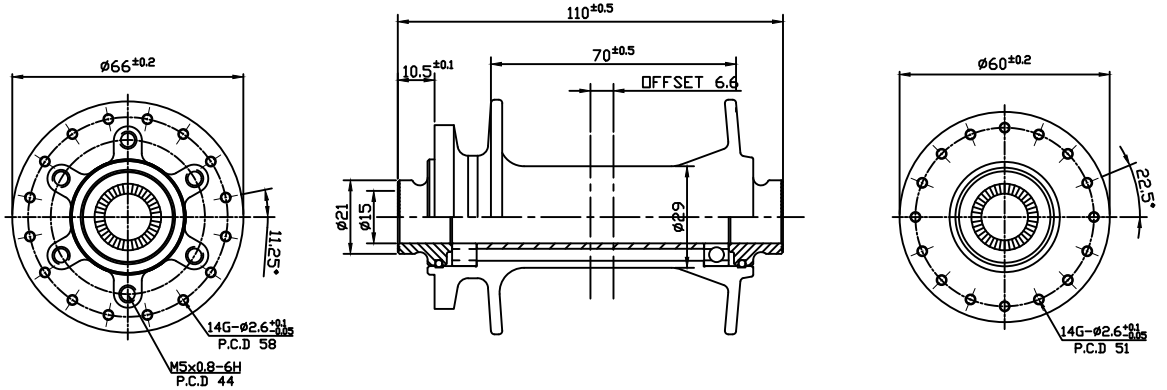
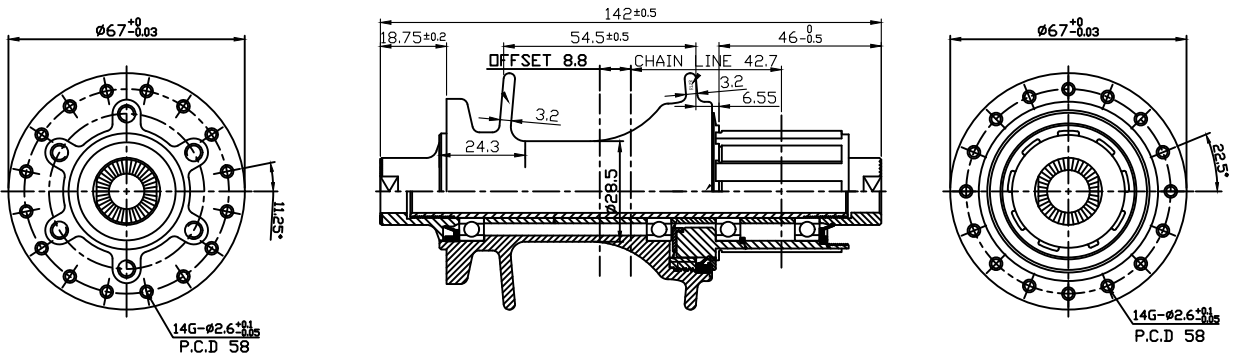


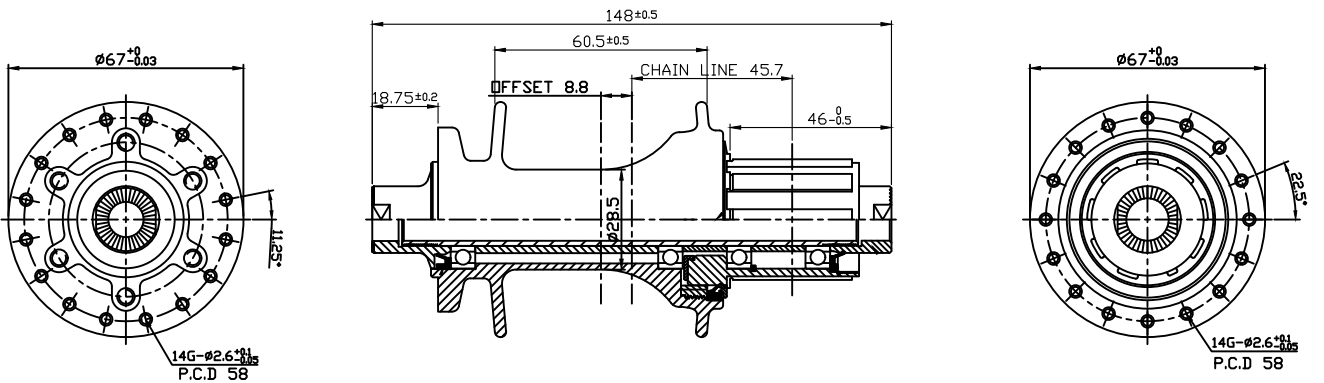
HUHARL2F - Front



HUHARL2FB - Boost Front



HUHARL2R - Rear



HUHARL2RB - Boost Rear